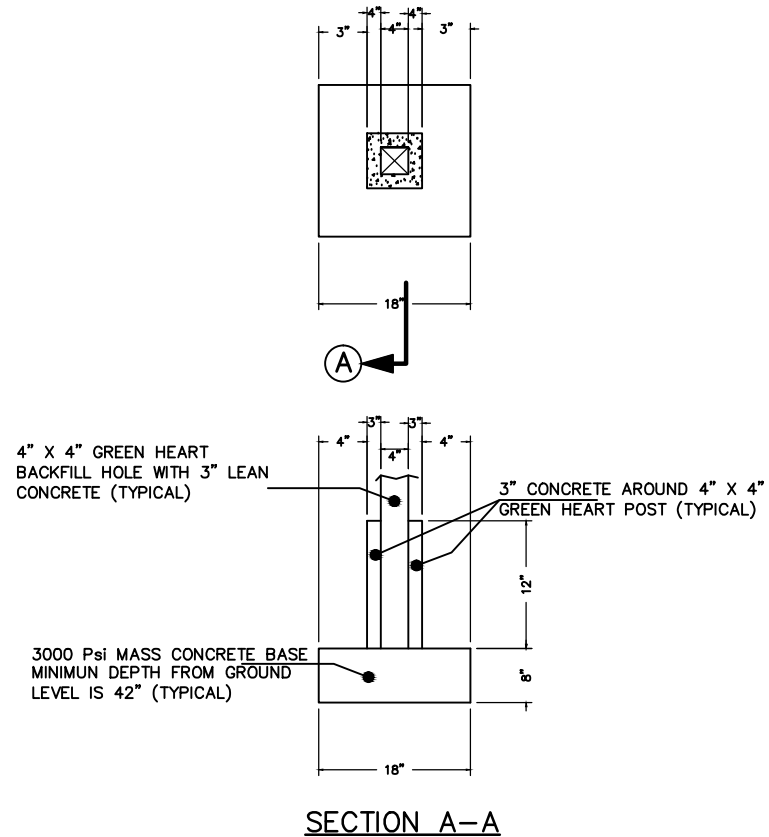
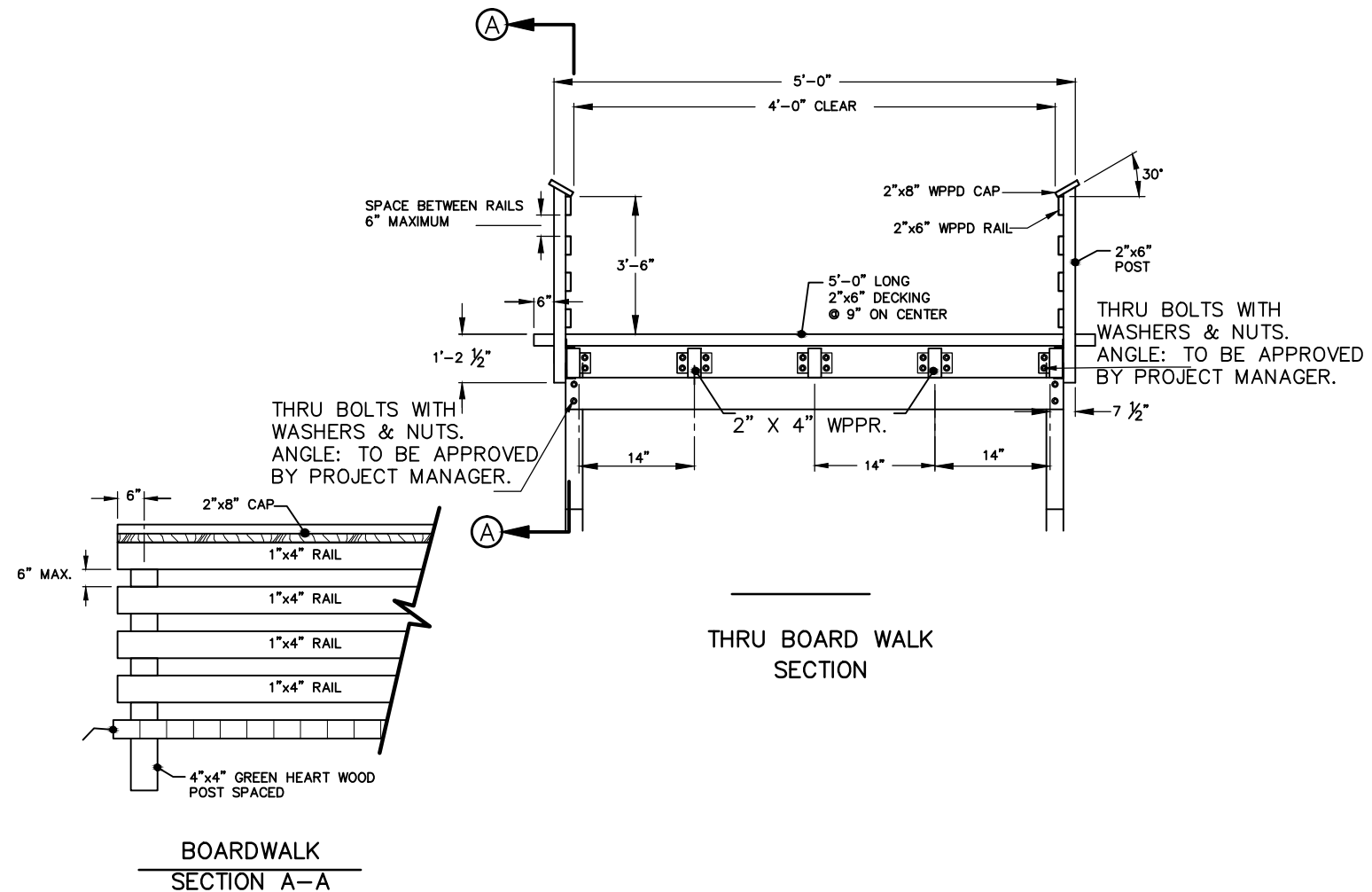


STANDARD BOARDWALK (ELEVATION VIEW)



SECTION A-A



THRU BOARD WALK SECTION

BOARDWALK SECTION A-A

Notes:

**PREMIER DESIGN INC.**

Project:  
PROPOSED BOARD WALK

Address:  
ST. GEORGE'S, GRENADA

Drawing Title:  
FLOOR PLAN & ELEVATION  
SECTIONS & DETAILS

Project No.:		Sheet No.:	
Date:	MARCH 2018	<b>A-01</b>	
Checked By:	K.ALEXIS		
Drawn By:	N.STEPHEN		
Plot Scale:	1:1=1'-0"		
Scale:	AS SHOWN		